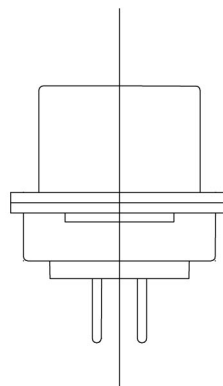
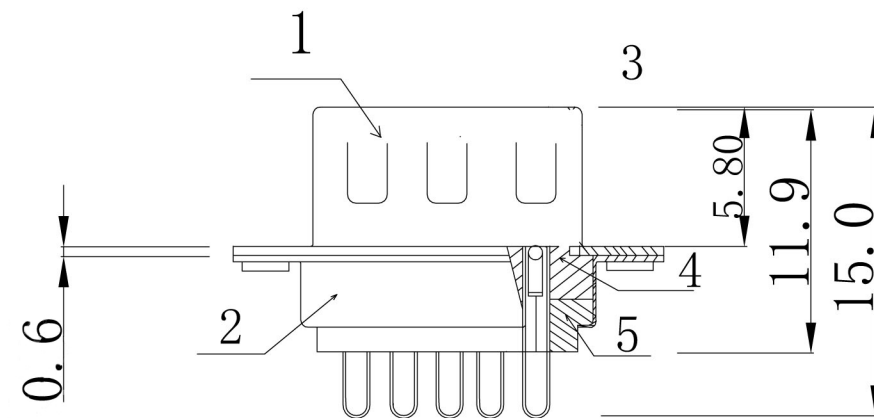
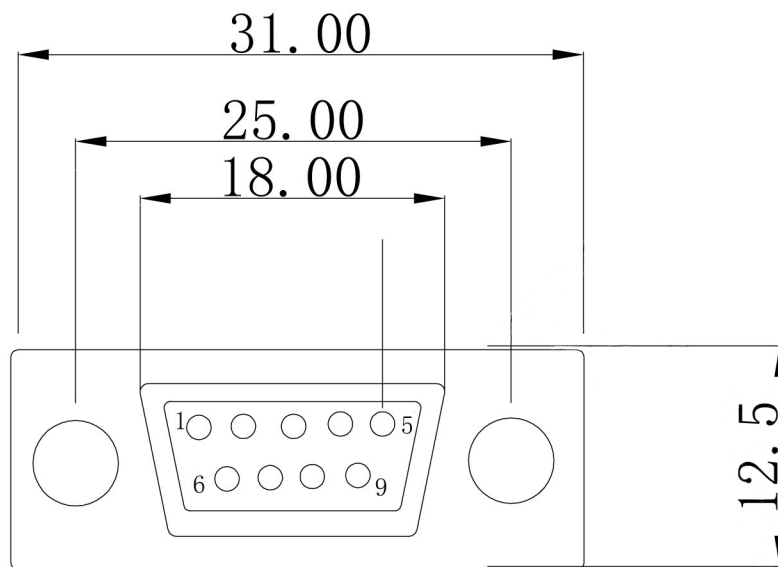


REVISIONS

SYM	ECNNO	DESCRIPTION	DATE	APPROVED



- 1. PRIDUCT SERIES;DBW SILDER POT
- 2. CONTACT OPTION;2;RECEPTACCE
- 3. IRREGULAR CHANGES;0;STANDARD
- 4. POSITIOINS;9PIN
- 5. INSULATIOIN COLOR;SLUE

F-3-MIN-001-010		
00		2008/11/18

**Show Me**  
CABLES  
cables & connectors since 1995

APPROVED		DATE		SCALE	
CHECKED		DWG NO	T003	ANGLE	
DESIGNED		UNIT	MM		
DB9 MALE SOLDER CONNECTOR				TYPE NO	492